

FourReal[®] A Flex

Design by Studio Ocee

FACT SHEET / TECHNICAL & ENVIRONMENTAL SPECIFICATION



FourReal® A Flex

Design by Studio Ocee

Product options

VARIATIONS

(Integrated castors on two legs):
140 x 120 cm
140 x 140 cm
240 x 120 cm
240 x 140 cm

ACCESSORIES

Paper roll holder
Chair suspension
Cable net
Cable duct (aluminium)
Linking device
Acoustic panels
Tray
Power cube
Flower box
Top shelf

TABLE TOP FINISHES

Please visit our price list for all table top colours
[Ocee & Four Price List UK](#) ↗

STANDARD FRAME COLOUR

● Mat Black
RAL 7021

Please visit our price list for optional powder coating frame colours [Ocee & Four Price List UK](#) ↗



Meet the FourReal® A Flex table – an extension of our versatile FourReal® family, featuring our signature A-frame. Packed with space-saving features and exceptional flexibility, this expansive table effortlessly caters to diverse work scenarios, from solo work to meetings to collaborative sessions. Designed for flexibility, it accommodates a variety of seating choices, including soft seating, task chairs, and benches. The architectural elements of the A-frame add a cosy and secure feel, appealing to those who prioritise both aesthetics and functionality. Elevate your experience by personalising with custom wooden trays, acoustic panels, power cubes, and cable nets.

Tecnical specifications

WEIGHT

140 x 120 cm: 68 kg
 140 x 140 cm: 72 kg
 240 x 120 cm: 96,3 kg
 240 x 140 cm: 103,2 kg

CHAIR SUSPENSION

Maximum qty pr. size:
 140 x 120 cm: 4 set
 140 x 140 cm: 4 set
 240 x 120 cm: 8 set
 240 x 140 cm: 8 set

CABLE NET

Maximum qty pr. size:
 140 x 120 cm: 1 pc
 140 x 140 cm: 1 pc
 240 x 120 cm: 2 pcs
 240 x 140 cm: 2 pcs

TEST

EN 15372:2016 - L2

CERTIFICATION

Compliant with TSCA Title VI

Materials

TABLE TOP

Decor: Chip board with decor laminate and ABS-edge. Thickness: 19 mm.

Laminate: Chip board with high-pressure laminate or Fenix laminate and ABS- edge. Thickness 20 mm.

Linoleum: Chip board with linoleum and ABS-edge. Thickness 21 mm.

FRAME, STEEL

Powder coated steel frame.

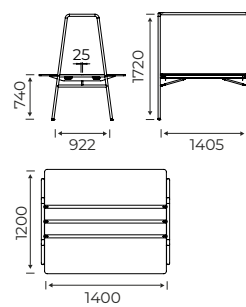
Legs: Ø32 x 2,5 mm, S235 steel, EN 10305-3 F300C

Beam: 80x50x1,5 mm RHS profile beam, S235 steel

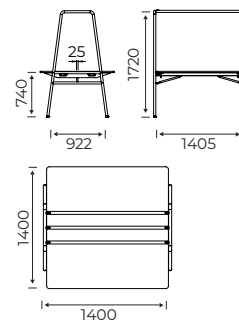
Gliders and gliders with integrated castors: LDPE

Dimensions

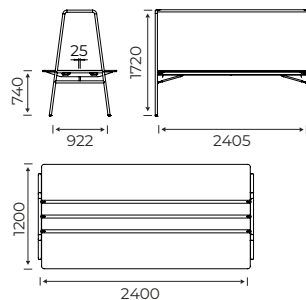
140 x 120 cm



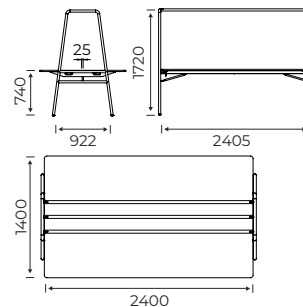
140 x 140 cm



240 x 120 cm



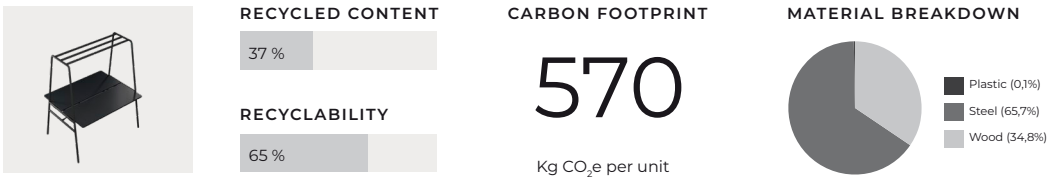
240 x 140 cm



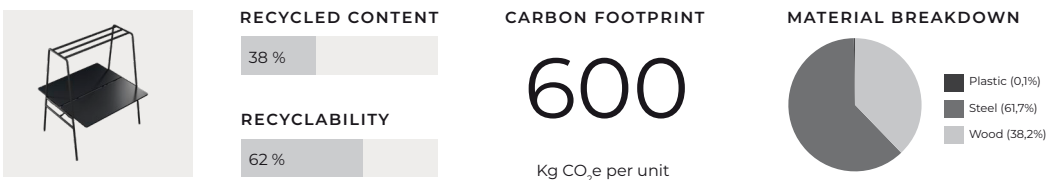
Environmental data

Product environmental data can assist you in meeting the requirements for LEED, BREEAM, WELL, and SKA building certifications.

FOURREAL® A FLEX 140 X 120 CM



FOURREAL® A FLEX 140 X 140 CM



FOURREAL® A FLEX 240 X 120 CM



FOURREAL® A FLEX 240 X 140 CM



CARBON FOOTPRINT

The carbon footprint (CO₂e) covers the full product life cycle, cradle-to-grave. Calculations follow the Product Environmental Footprint (PEF) methodology and are obtained using the MALBAR screening tool.

Quality and environment

At Ocee & Four Design, we care about sustainability. We strive to reduce our impact by producing quality furniture in a sustainable manner. Find out more about our journey on [Oceeandfour.com](https://oceeandfour.com) ↗

COMPANY CERTIFICATIONS

ISO 9001
ISO 14001
FSC Chain of Custody
(License Code: FSC-C161956)
FISP Full Membership

WARRANTY

Ocee & Four Design provides a 5-year warranty on all

products within our price list. This warranty covers breakage and damage of products occurring because of deficient craftsmanship performance under normal use. The warranty shall lapse if the product shows signs of mishandling abuse or other physical damage.

The warranty does not cover those parts of the product which are exposed to abrasion during use.

INSTRUCTIONS

Assembly instructions can be found at our website.

MAINTENANCE

Refer to our [Maintenance Guide](#) ↗

DISASSEMBLY & RECYCLING

Products should be disassembled and separated into their components and materials before recycling. Most products can be disassembled using hand tools. Metal parts are commonly recycled. Powder coated frames are treated with a paint classified as not dangerous according to directive 1999/45/EF. Wood can either be recycled or incinerated. Plastic shells

can be recycled. Upholstery and veneer shells are not recyclable but can be disposed of through incineration. Processes for recycling vary so check with your waste management organisation.

TAKE BACK SCHEME

Extend the life of your furniture! If you're in the UK, explore our [Take Back Scheme](#) ↗ to dispose of your used items in a sustainable way.